

PLAN 2

CHARCOAL VERSION



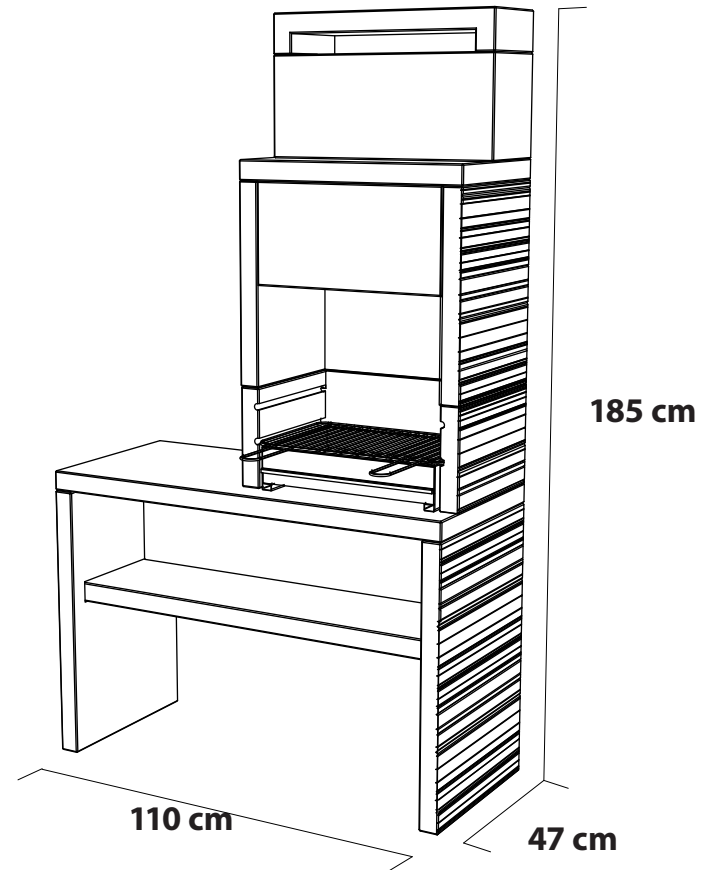
mount left or right

Fabricated en concrete.
Decoration and leisure products for the garden!

PLAN 2

CHARCOAL VERSION

MAX
FUGA/SMOKE
EXTRACTION **1**



REF.
8035

SÉRIE (N&B)
Dimensions:
47 x 110 x 185h cm
Grill:
50 x 32 cm
405 kg

Fabricated en concrete.
Decoration and leisure products for the garden!



READ THE FOLLOWING INSTRUCTIONS CAREFULLY

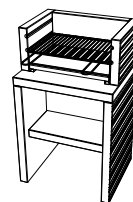
WE REMIND YOU THAT THE **SETTING UP OF A CONCRETE BARBE-CUE GRILL REQUIRES A GIVEN TECHNICAL KNOW-HOW** IN ASSEMBLY METHODS, THUS WE RECOMMEND HIRING INSTALLERS **WITH THE SKILLS** FOR THIS PURPOSE.

WHEN OPENING THE BARBECUE PACKAGE BE CAREFUL AS YOU REMOVE THE STRAPS THAT HOLD THE CONCRETE COMPONENTS. THESE COULD FALL AND CAUSE DAMAGE OR INJURY TO PEOPLE AND OBJECTS.

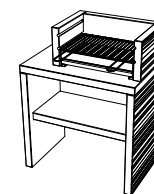
BEFORE BEGINNING THE ASSEMBLY

- WHEN SELECTING A PLACE TO ASSEMBLY YOUR BARBECUE, FAVOUR THOSE PLACES THAT ARE EXTERNAL AND COVERED, SHEL-TERED FROM WIND, HUMIDITY AND DIRECT SUNLIGHT. SELECTING A GOOD PLACE FOR YOUR GRILL, WILL ENSURE THAT YOU ENJOY GREATER COMFORT IN ITS USE AND THE MAXIMUM OUTPUT IN THE GRILLING ACTIVITY. PLUS, YOUR GRILL WILL KEEP ITS ORIGI-NAL LOOK FOR A LONGER PERIOD OF TIME.
- THE GRILL MUST NECESSARILY BE SET OVER A FLAT SURFACE, RIGID AND LEVEL. IF THE BASE SURFACE DOES NOT MEET THE CONDITIONS REQUIRED, THE ASSEMBLY WILL BE DEFICIENT AND UPSET THE LOOK, STRUCTURAL INTEGRITY AND EFFICIENT OPERA-TION OF THE GRILL.
- FOR THE ASSEMBLY OF PLAN GRILLS, THE USE OF MORTARS WITH HIGH RESISTANCE CEMENT AND QUICK DRY CEMENT IS NOT ALLOWED, E.G. WHITE CEMENT, ALUMINIUM CEMENT OR SIMILAR, REFRACTORY CEMENT, OR CEMENT MORTAR FOR LAYING CERA-MICS. YOU MUST USE A MORTAR WITH 20% LOW RESISTANCE CE-MENT AND 80% FINE SAND. AS AN ALTERNATIVE YOU MAY USE A FIRE-RESISTANT SILICON WITH HIGH TEMPERATURE RESISTANCE. USE OF SILICON WILL ENSURE A BETTER FINISH IN THE JOINTS, SPE-CIALLY IN THOSE MODELS THAT DO NOT REQUIRE FINISHING OR PAINTING (PLAN SERIES, PLAN FOLD, EGO AND KITAWAY).
- THE GRILL MUST BE INSTALLED SO AS TO ALLOW THE DILATION/CONTRACTION TYPICAL FOR THIS TYPE OF PRODUCT, OTHERWISE THERE COULD BE FISSURES. TO PREVENT THIS DO NOT PUSH THE GRILL DIRECTLY ONTO A WALL, AND LEAVE A GAP OF APPROXIMA-TELY 5CM. ALSO USE A VERY THIN LAYER OF BRICKLAYER'S MOR-TAR OR SILICON TO ENSURE THE NATURAL DILATION BETWEEN THE COMPONENTS. THE ELEMENTS THAT CONSTITUTE THE SUR-FACE UNDER THE FIRE SHOULD SIMPLY BE LAID WITHOUT USE OF MORTAR (SEE ASSEMBLY PICTURES, STEP-BY-STEP).

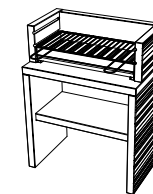
PLAN



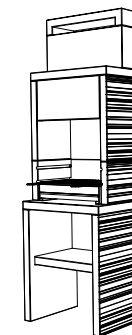
PLAN
PLAN 0
CHARCOAL



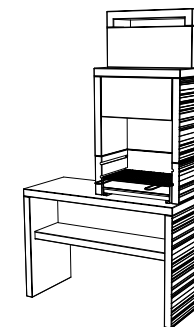
PLAN
PLAN 1
CHARCOAL



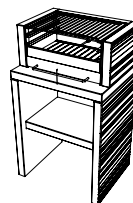
PLAN
PLAN 1 PLUS
CHARCOAL



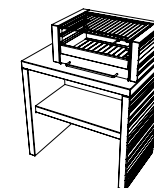
PLAN
PLAN 0 MAX
CHARCOAL



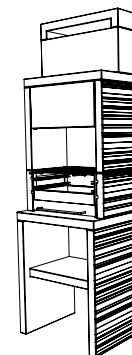
PLAN
PLAN 2
CHARCOAL



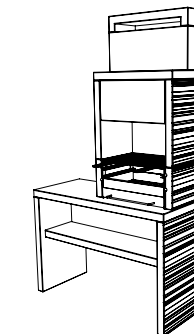
PLAN
PLAN 0
WOOD AND CHARCOAL



PLAN
PLAN 1
WOOD AND CHARCOAL



PLAN
PLAN 0 MAX
WOOD AND CHARCOAL



PLAN
PLAN 2
WOOD AND CHARCOAL

IN OPERATION

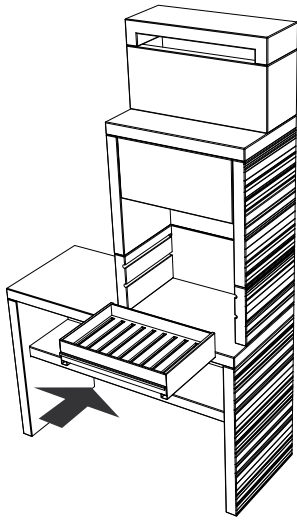
- **ON FIRST TIME USE OF THE GRILL, THE FUEL EMPLOYED MUST BURN FOR A MINIMUM OF 30 MINUTES BEFORE BEGINNING TO GRILL.**

- AFTER ASSEMBLY AND ON EVERY OCCASION, THE GRILL MUST BE VERY DRY BEFORE BEGINNING TO USE.
IF THE GRILL IS INSTALLED ON A PLACE THAT IS NOT COVERED OR VERY HUMID, ALWAYS MAKE SURE THAT THE AREAS EXPOSED TO HIGH TEMPERATURE ARE VERY DRY BEFORE BEGINNING TO USE. IN CASE THERE IS HUMIDITY, DRY WITH LOW FIRE AND GRADUALLY MOVE TO A NORMAL USE, AS THE HUMIDITY VANISHES.

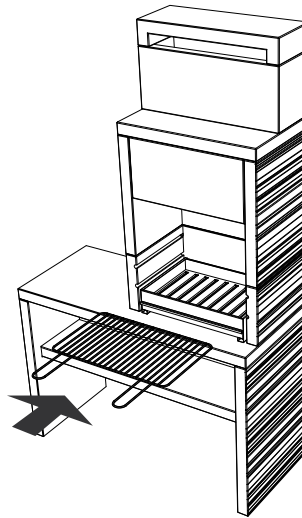
NOTE:

- AS FUEL, USE OF VEGETABLE CHARCOAL AND FIREWOOD IS ALLOWED. **MAXIMUM LOAD OF 6,4 dm³.** DO NOT RELOAD THE GRILL BEFORE THE PREVIOUS LOAD HAS BEEN CONSUMED. DO NOT IGNITE THE CHARCOAL OR WOOD USING LIQUID FUELS (E.G. ALCOHOL, PETROLEUM, AND ACCELERANT GEL). **USE ONLY SOLID ACCELERANT.** ON FIRST TIME USE OF THE GRILL, YOU SHOULD MAKE A SMALL FIRE ONLY WITH CHARCOAL. GRADUALLY INCREASE THE INTENSITY OF THE FIRE. (ALWAYS RESPECT THE RE-COMMENDED MAXIMUM LOADS). ON THOSE FIRST FEW USES OF THE EQUIPMENT, AVOID INTENSE FIRE SINCE THE CONCRETE AND METALLIC COMPONENTS WILL NEED TO ADAPT TO THE CONDITIONS OF FUTURE USE. THE RESISTANCE AND PERFORMANCE OF YOUR GRILL WILL DEPEND UPON THE FIRST FEW USES. REMEMBER THAT THE MAIN OBJECTIVE OF THE COMBUSTION OF FIREWOOD OR CHARCOAL IS THE PRODUCTION OF EMBERS NECESSARY FOR GRILLING YOUR FOOD IN AN EFFECTIVE WAY. WHEN PREPARING THE FIRE, ALLOW THE FORMATION OF A LAYER OF ASHES OVER THE EMBERS BEFORE BEGINNING TO COOK THE FOOD.
- AFTER USING THE GRILL, YOU MAY REMOVE THE EMBERS THAT HAVE NOT BEEN CONSUMED AND KEEP THEM IN A FIREPROOF BOX, SO THAT THEY MAY COOL DOWN, FOR A LATER USE. **UNDER NO CIRCUMSTANCES SHOULD YOU THROW WATER TO WASH THE GRILL, UNLESS IT HAS COMPLETELY COOLED DOWN. SUDDEN TEMPERATURE SHIFTS WILL CAUSE FISSURES OR EVEN BREAK-UP OF CONCRETE COMPONENTS.**

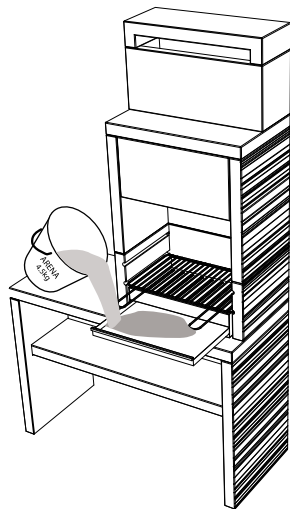
11



12

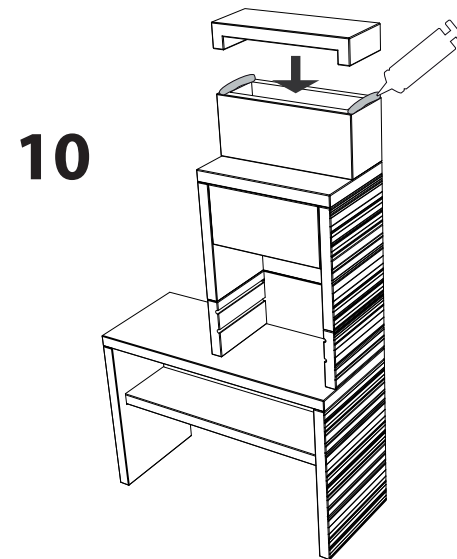
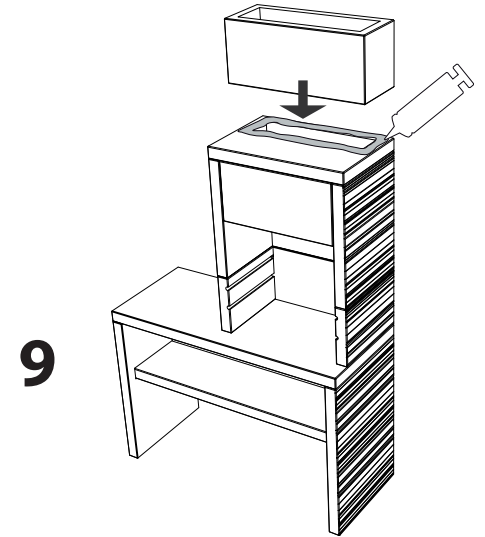
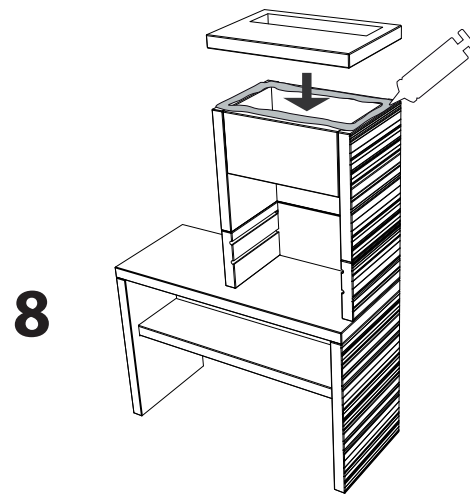


13



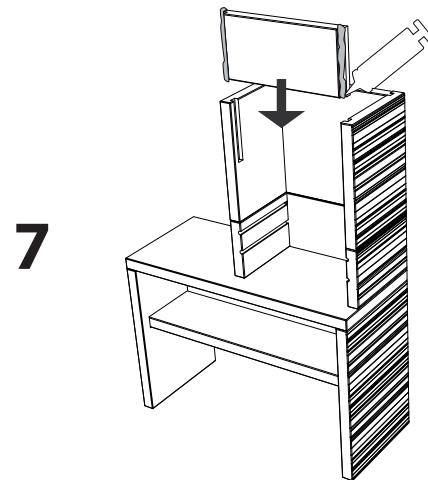
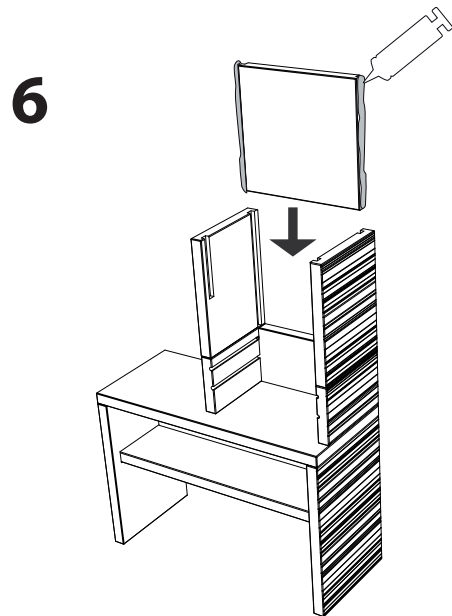
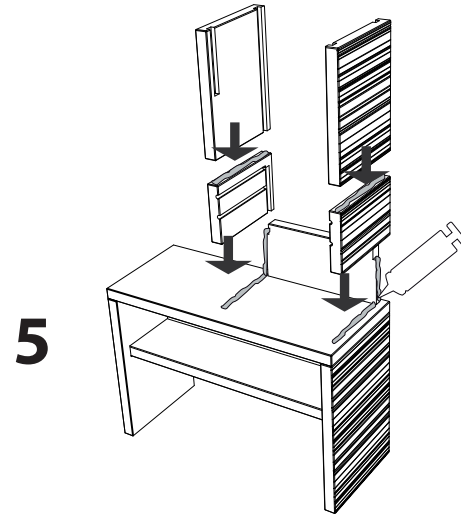
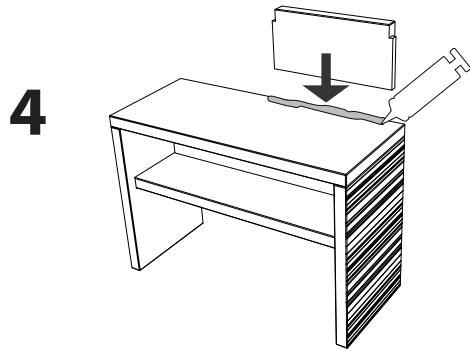
MANUTENCIÓN:

- TO CLEAN THE GRILL USE ONLY WATER AND A CLOTH OR ABRASIVE SPONGE, "SCOTCH BRITE" TYPE.
- THE CONCRETE COMPONENTS CAN ALSO BE CLEANED OCCASIONALLY WITH WATER AND A NYLON HAIRBRUSH. WHEN YOU CLEAN THE CONCRETE COMPONENTS WITH WATER, REMOVE ALL THE OTHER COMPONENTS OF METAL SO THAT THEY DO NOT BECOME WET.



IMPORTANT WARNINGS

- THE GRILL CANNOT BE USED TO BURN RUBBISH OF ANY NATURE, DOMESTIC OR GARDEN. BEWARE! THIS GRILL WILL REACH VERY HIGH TEMPERATURES, DO NOT
- MOVE IT WHILE IN USE. BEWARE! DO NOT EMPLOY ALCOHOL OR PETROLEUM TO IGNITE OR RE-IGNITE THE GRILL! EMPLOY ONLY THOSE PRODUCTS FIT FOR IGNITION ACCORDING TO EN 1830-3! DO NOT USE IN ENCLOSED AREAS. WARNING: KEEP CHILDREN AND ANIMALS AWAY FROM THE GRILL WHILE IN USE. WHILE IN OPERATION, NEVER LEAVE THE GRILL UN-SUPERVISED. REMEMBER THAT KEEPING THE GOOD LOOK AND DURABILITY OF YOUR GRILL WILL DEPEND UPON GOOD PRACTICES OF USE AND MAINTENANCE. WE ALSO INFORM YOU THAT A FEW ACCESSORIES FOR THE USE AND MAINTENANCE OF YOUR GRILL ARE AVAILABLE. INQUIRE AT THE SHOP WHERE YOU ACQUIRED THIS PRODUCT OR CONSULT OUR WEBSITE WWW.TUOZI.PT.

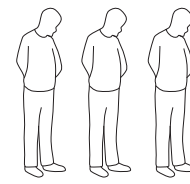
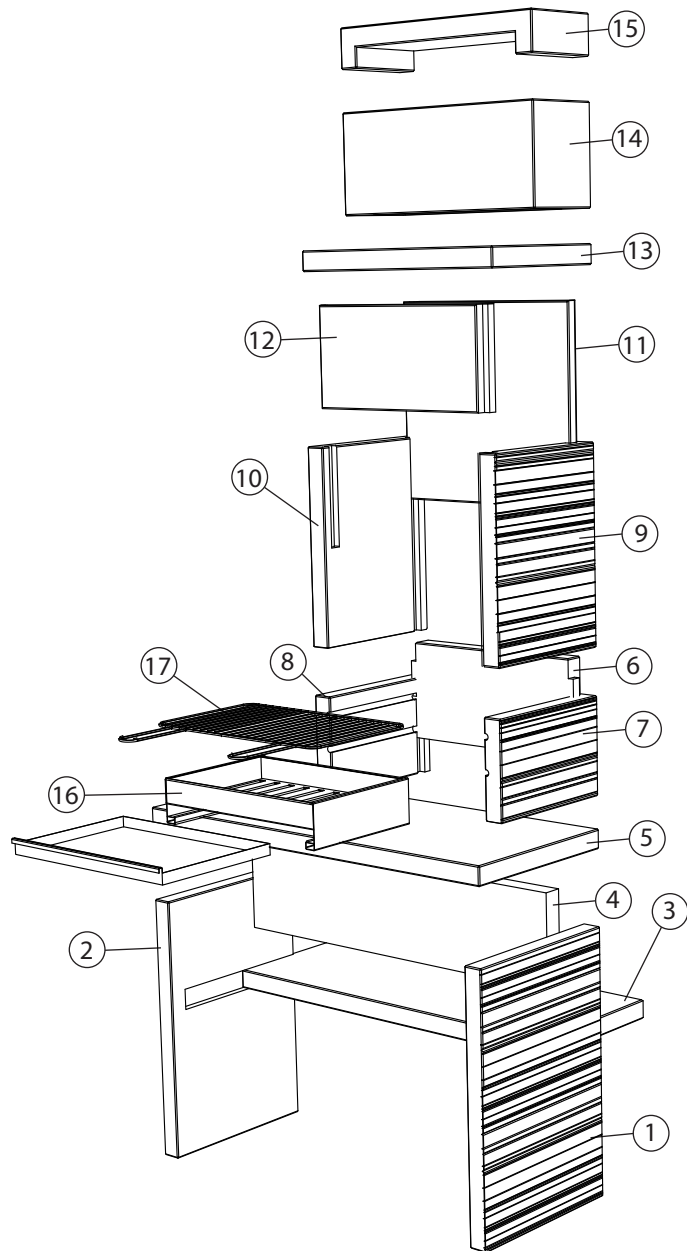


PLEASE KEEP THIS BROCHURE FOR FUTURE NEED

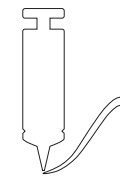
IN CASE THERE ARE STILL DOUBTS ABOUT ASSEMBLY AND USE OF THIS PRODUCT,
PLEASE CONSULT THE SALESMAN AT THE SHOP WHERE YOU ACQUIRED THE GRILL
OR CONSULT OUR WEBSITE WWW.TUOZI.PT
THANK YOU FOR CHOOSING OUR BARBECUE GRILLS.

TEAM TUOZI® BY MOVELAR WISHES YOU GOOD APPETITE!

IDENTIFICATION OF THE PARTS:



3x



Heat-resistant silicon

